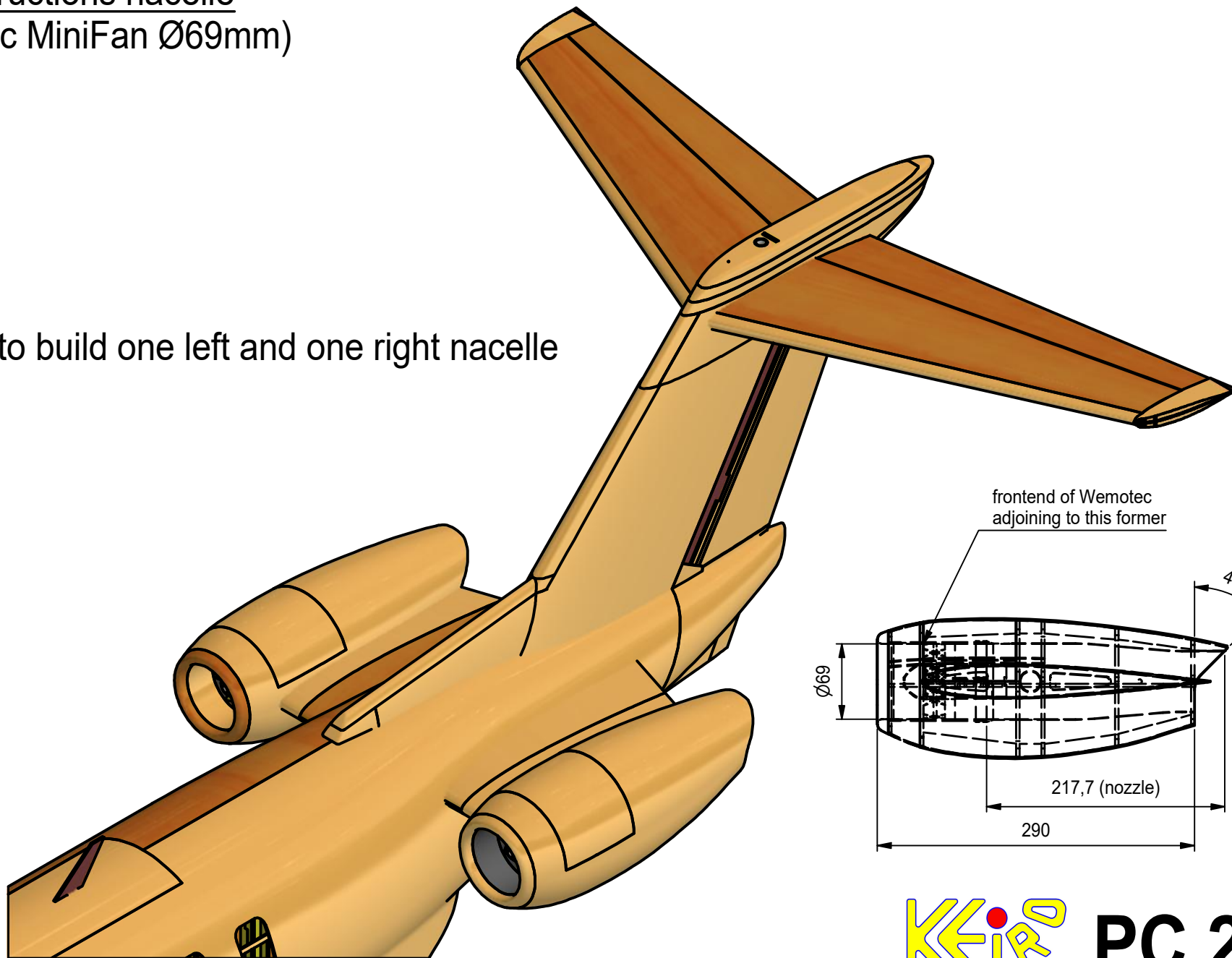


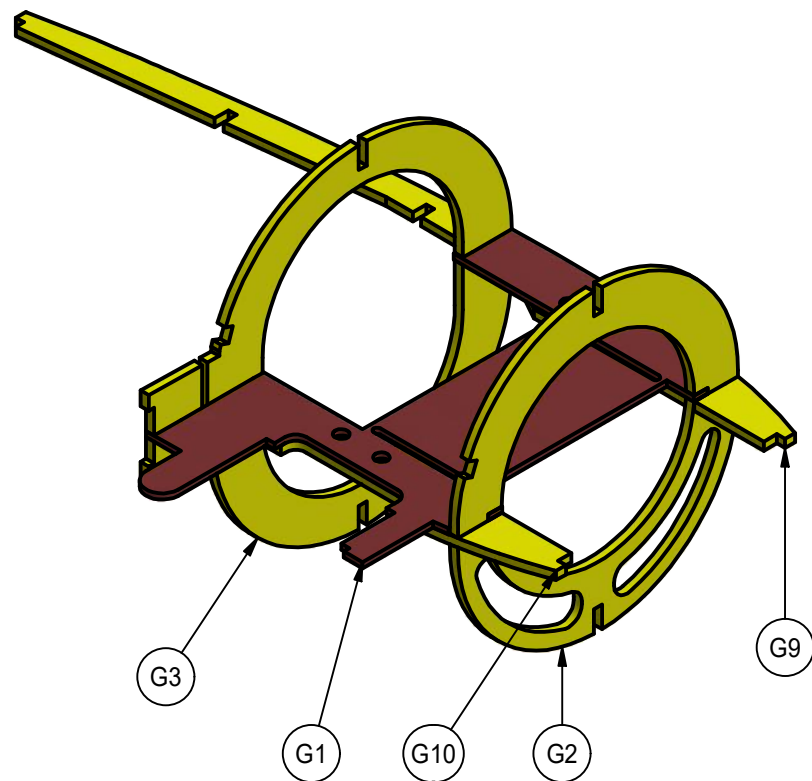
Building instructions nacelle
(for Wemotec MiniFan Ø69mm)

Be sure to build one left and one right nacelle

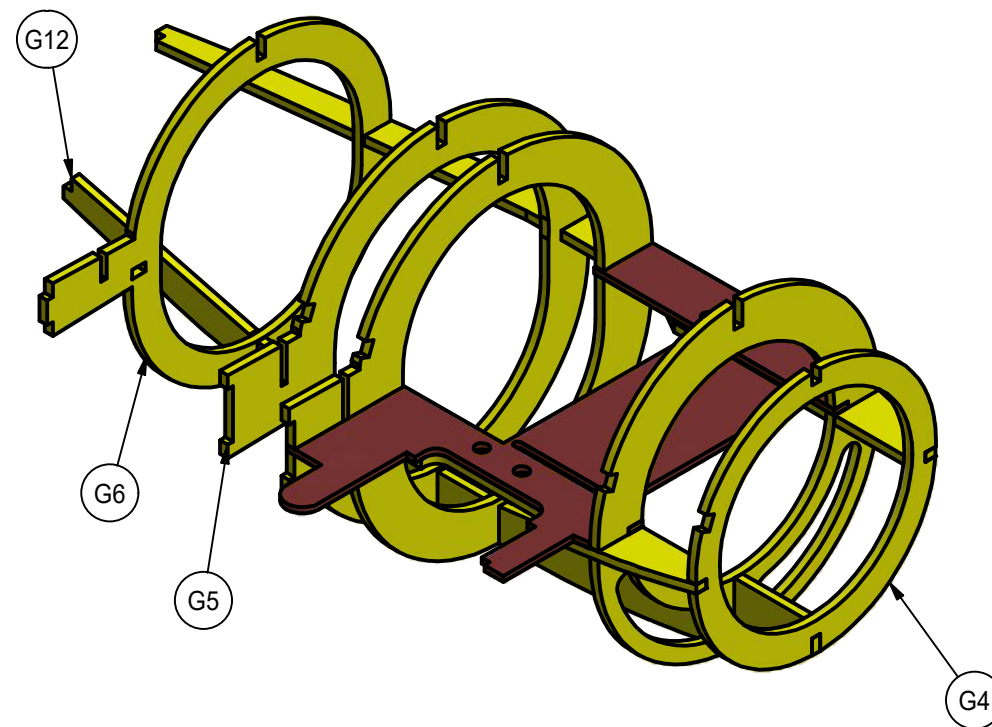


Building instructions nacelle
(for Wemotec MiniFan Ø69mm)

step 1

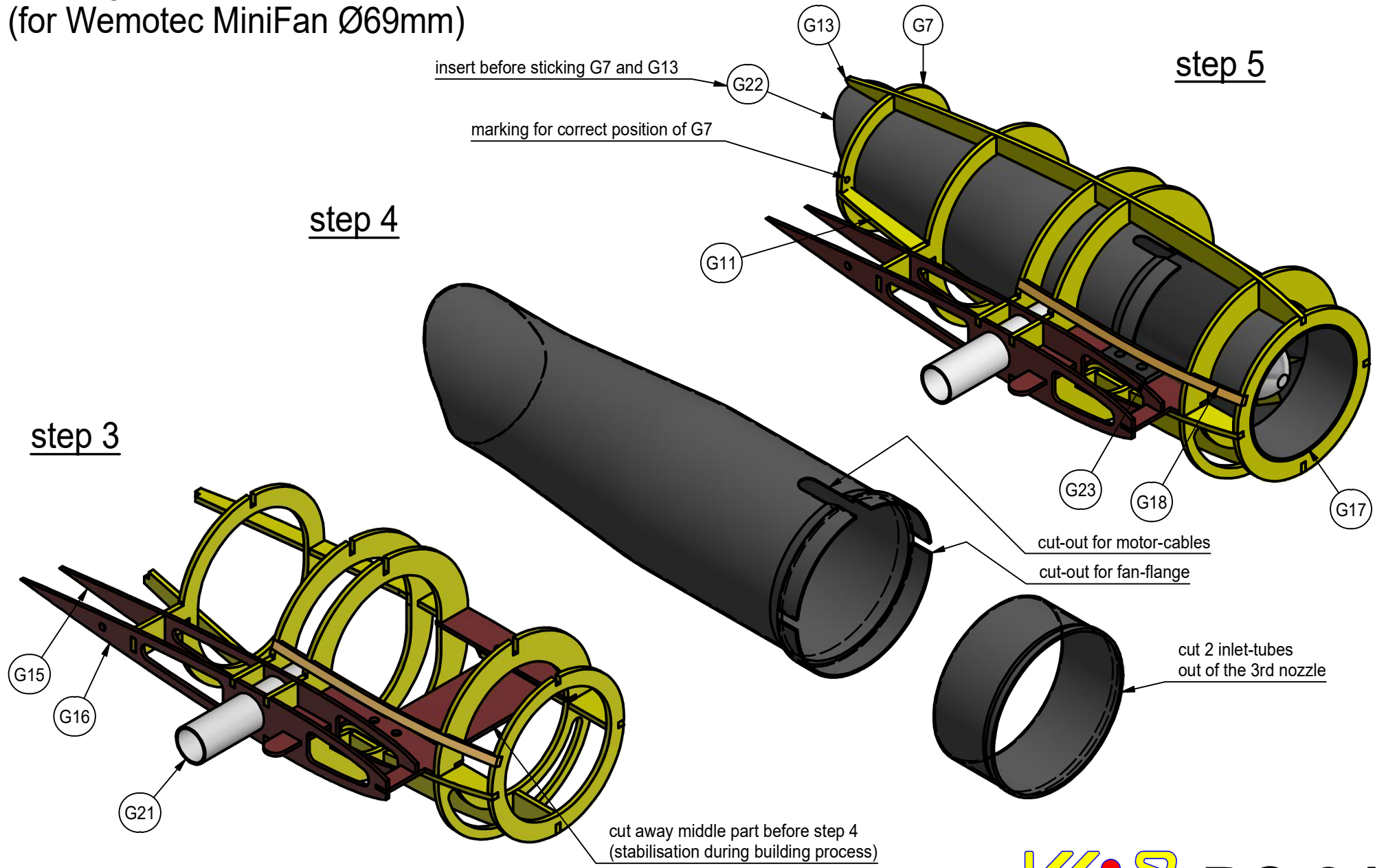


step 2



CAUTION: Do not yet glue in backmost former G7 and upper stringer G13

Building instructions nacelle (for Wemotec MiniFan Ø69mm)



Building instructions nacelle (for Wemotec MiniFan Ø69mm)

step 6
panking with balsa 1.5mm thick
remove fan before planking

secure nozzle with screw

step 7
cut out the cover



nozzle can be slid backward
to remove fan upward

